

LIFT-ASSIST HINGE HG-PA210-9 Inside Mount



- Easy to lift heavy top-opening lid with spring tension (lift assist function).
- Smooth and soft-closing movement at the end, preventing lid from slamming shut.
- Torque is adjustable by turning the adjustment screw ($\pm 11\%$).
- Able to limit the 140° opening angle to 55° or 80° with use of the included stopper plate.
- Opening angle can also be restricted between 15° and 90° (made to order).

[Remarks]

- Be sure to read the "Cautions" 1.
- When not mounting the angle restricting piece, install a stopper (not included) on the cabinet to prevent from exceeding the operating angle during opening or closing.

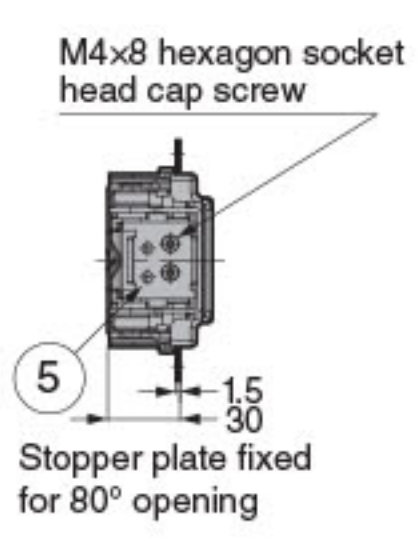
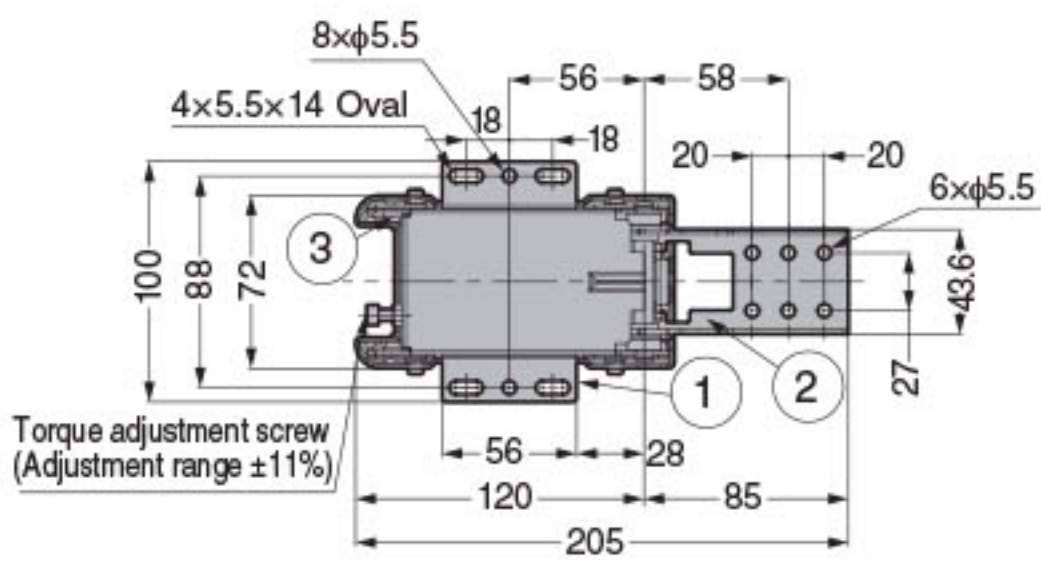
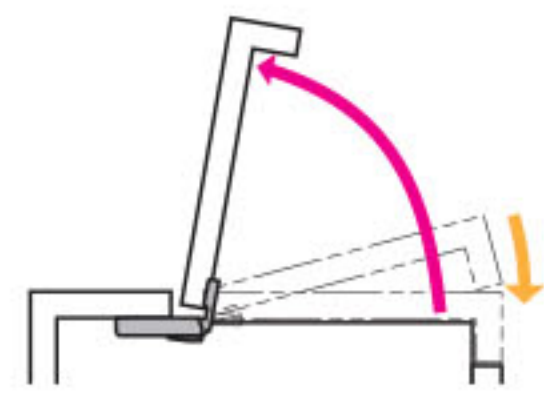
[Operating Range]



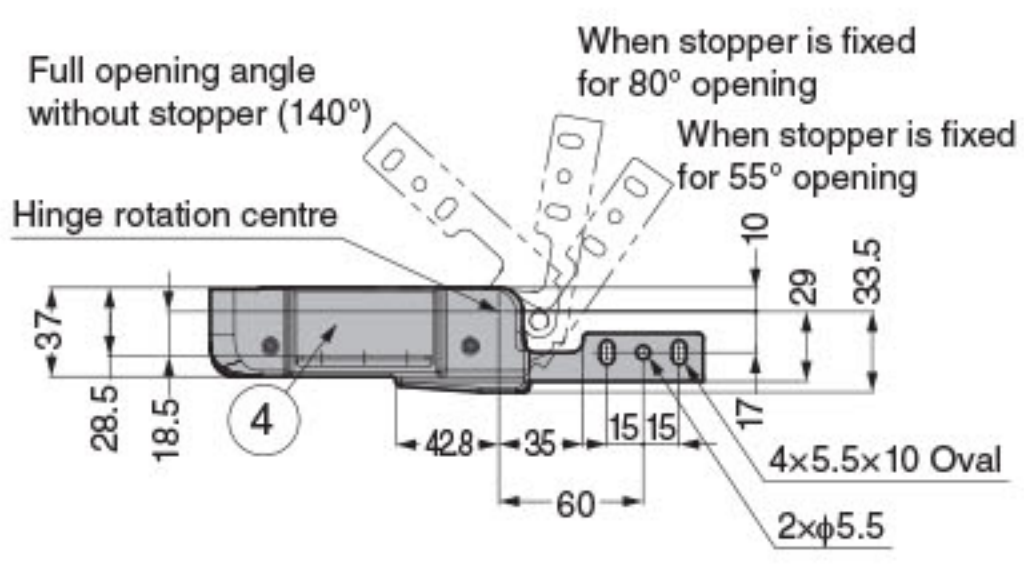
Video Link

Video Link

Selection Tool
Sasuga-kun
 Applicable Products
 Used for Product Selection & Simulation.
 Available on Web!

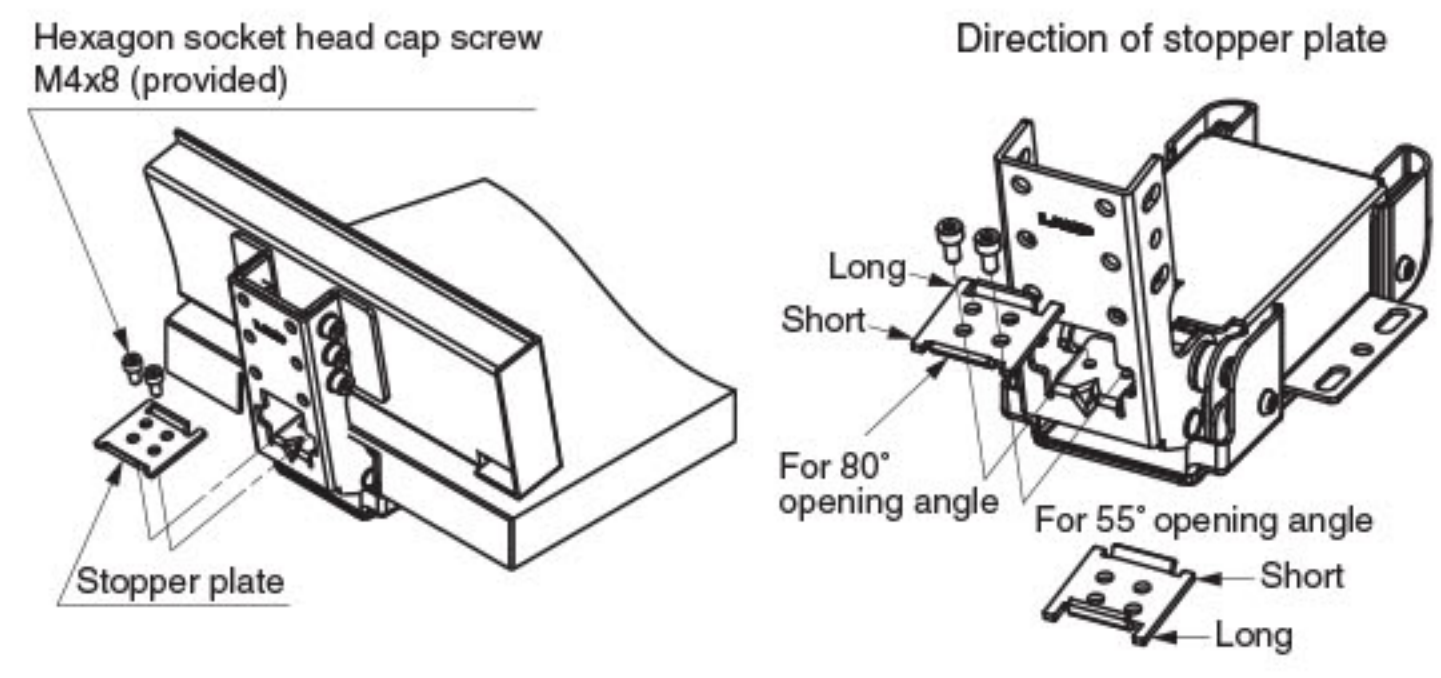


No.	Part Name	Material / Colour
①	Base A	Stainless Steel (SUS430)
②	Base B	
③	Case	
④	Cover	PP/Light Grey
⑤	Stopper Plate	Stainless Steel (SUS430)
-	Slider	POM
-	Spring	Steel (SWO)

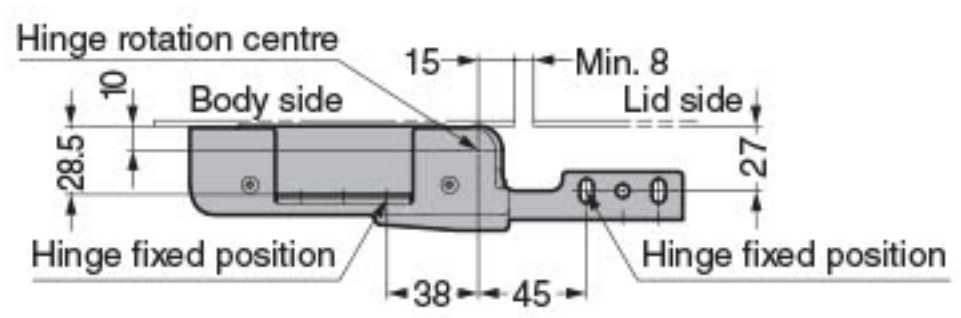


[Setting of Opening angle]

Opening angle can be limited to 55° or 80° with the included stopper plate.



[Installation]



RoHS	CAD	Item Code	Item Name	Torque N·m/pc	Torque kgf·cm/pc	Weight (g)	Box (pcs)	Carton (pcs)
G	3D	170-029-740	HG-PA210-9	$g \pm 10\%$	$91 \pm 10\%$	770	1	12

Refer to 1 : P.15.

- TORQUE HINGES
- DAMPER HINGES
- LIFT ASSIST HINGES
- DETENT HINGES
- CONCEALED HINGES
- BUTT HINGES
- PIANO HINGES
- STEP HINGES
- LIFT-OFF HINGES
- PIVOT HINGES
- SPRING HINGES
- CLEAN ROOM HINGES
- HINGES FOR ALUMINUM FRAME
- DROP HINGES
- GLASS DOOR HINGES
- SPECIAL HINGES